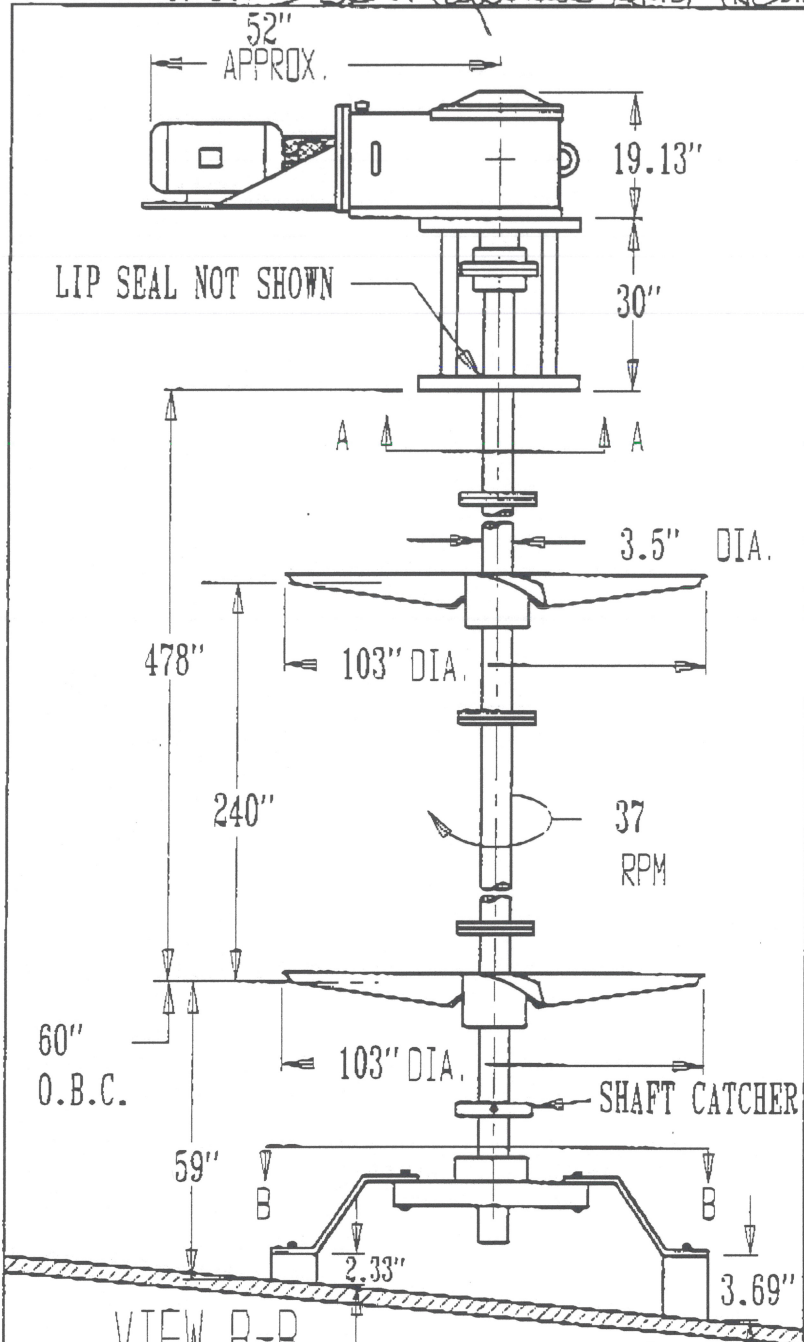
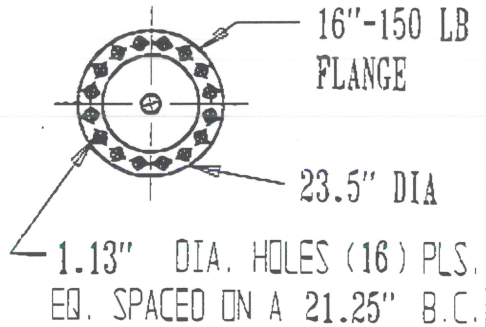


APPROVED BY: *J.A. Paganina* AMG INC DATE: 6-30-95



VIEW A-A MOUNTING DETAIL



-MOTOR DATA-

HP: 20 RPM: 1800
 VOLTS: 230/460 PHASE: 3
 CYCLE: 60 TYPE: TE-XP
 FRAME: 256TC

-IMPELLER DATA-

UPPER: TYPE FOIL DIA. 103"
 NOTE: _____
 LOWER: TYPE FOIL DIA. 103"
 STABILIZERS: YES NO
 NOTE: _____

-ENGINEERING DATA-

TORQUE: 23,895 IN-LBS.
 BENDING MOMENT: 0 IN-LBS.
 VERTICAL LOAD DOWN: 4200 LBS.



CUSTOMER DATA:

CUSTOMER: AGP
 CERT. BY: *J.L. Bully*
 P.O. NO.: DT141016
 TAG NO.: 1306
 QUANTITY: ONE



UNITED EQUIPMENT TECHNOLOGIES CORP.
 60 BUCKLEY CIRCLE
 MANCHESTER, NH 03109

XCEL-500 CLOSED TANK MIXER

MATERIAL, WETTED PARTS: 304 S.S.

SHEET 1 OF 1 SIZE A DWG. NO. C1641-4B 1/8" B